

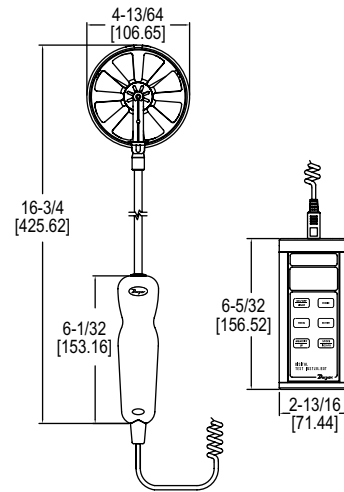
Dwyer

MODEL 473B

100 MM VANE THERMO-ANEMOMETER TEST INSTRUMENT

Measures Air Velocity or Air Volume, Temperature, and Humidity Simultaneously

CALIBRATION SERVICES AVAILABLE



The **Model 473B 100 mm Vane Thermo-Anemometer Test Instrument** is a versatile unit that quickly and easily measures air velocity or volumetric air flow, as well as air temperature and humidity in imperial or metric units. A stainless steel 100 mm vane probe is included, which has a comfortable hand grip. The extruded aluminum housing fully protects electronics, yet is lightweight and comfortable to hold.

BENEFITS/FEATURES

- Compatible with Dwyer AP1 thermo-anemometer and RP1 thermo-hygrometer wired probes (sold separately)
- Measure air velocity, volumetric air flow, temperature, and humidity with the included 100 mm vane probe
- Visible in any condition due to high contrast and backlit LCD display
- Able to store up to 99 readings for later evaluation

APPLICATIONS

- Residential balancing
- HVAC inspections

MODEL CHART

Model	Description
473B-1	Vane thermo-anemometer test instrument

OPTIONS

To order add suffix:	Description
-COC	Certificate of calibration
-FC	Factory calibration certificate
-NIST	NIST traceable calibration certificate

Example: 473B-1-NIST

SPECIFICATIONS**Service:** Dry, clean air.**Temperature Limits:** Process: -20 to 212°F (-29 to 100°C); Ambient: 5 to 125°F (-15 to 51°C).**Display:** 4.5 digit backlit display.**Range:** Air velocity: 40 to 5000 FPM (0.2 to 25 m/s); Volumetric air flow: 19,999 in selected flow units; Temperature: -20 to 212°F (-29 to 100°C); Relative humidity: 0 to 100% RH.**Accuracy:** Air velocity: $\pm 1.5\%$ of reading ± 20 FPM (± 0.1 m/s) [0.25 to 10 m/s]; $\pm 1.5\%$ of reading ± 40 FPM (± 0.2 m/s) [10 to 20 m/s]; $\pm 1.5\%$ of reading ± 60 FPM (± 0.3 m/s) [20 to 25 m/s]; Temperature: $\pm 0.9^\circ\text{F}$ @ 77°F ($\pm 0.5^\circ\text{C}$ @ 25°C); Relative humidity: $\pm 2\%$ @ 77°F (25°C) [10 to 90% RH]; $\pm 4\%$ [0 to 10, 90 to 100% RH].**Response Time:** Air velocity: 1 s; Volumetric air flow: 1 s; Temperature: 1.5 s; Relative humidity: 1.5 s.**Probe Length:** 8" (203 mm) insertion.**Cable Length:** 28" (71 cm) retracted; 6' (18.3 m) extended.**Vane Material:** Anodized aluminum.**Power Requirements:** 9 V alkaline battery, installed non-functional, user replaceable.**Weight:** 18.4 oz (521 g).**ACCESSORIES**

Model	Description
A-47X-BOOT	Protective magnetic rubber boot
A-VPX-CKIT	Vane hood kit
AP1*	Hot wire thermo-anemometer probe with coiled cable
RP1*	Thermo-hygrometer probe with coiled cable
VP1*	100 mm vane thermo-anemometer probe with coiled cable (replacement)

*Consult website for more details.

A-47X-BOOT
(manometer not included)

A-VPX-CKIT



AP1



RP1



VP1